

SPECIFICATIONS FOR T7C SERIES

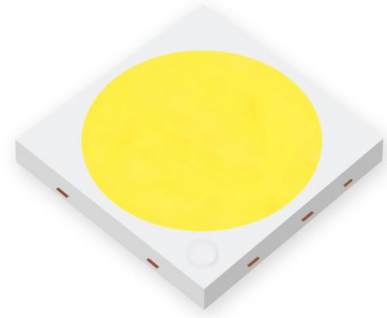
WHITE LED

Model: 7070

Part No: T7C**8G1R-*****

Features:

- * Top view white LED
- * Thermally Enhanced Package Design
- * High luminous flux output
- * High current capability
- * Compact Package Size
- * Wide viewing angle
- * Pb-free Reflow Soldering Application
- * The product itself will remain within RoHS compliant version



Applications

- * Architectural / Decorative lighting
- * Retrofits (replacement)
- * General lighting
- * Indoor & Outdoor sign board back light

Part Numbering System

T -

X1 X2 X3 X4 X5 X6 X7 X8 X9 X10

Item Number Code	Description	Content
X1	Type code	1S:1010; 1A:1919; 20:2016; 3B:3014; 28:2835 34:3020; 3C:3030; 5C:5050; 7C:7070; 1D:100100; 19: Ceramic 3535; 15: Ceramic 5050; 11: Ceramic 1616.
X2	CCT code	2700K:27; 3000K:30; 4000K:40; 5000K:50; 5700K:57; 6500K:65.
X3	Color Rendering	Ra70:7; Ra80:8; Ra90:9.
X4	No. of serial chip	1-Z.
X5	No. of parallel chip	1-Z.
X6	Component code	A-Z.
X7	Color Code	M:ANSI; F:ERP; R:85°C ANSI; T:105°C ANSI; B:Backlighting; Q:Others;AT:Tospo
X8	Internal code1	\
X9	Internal code2	\
X10	Spare code	\

Electro Optical Characteristics, IF = 100mA, Tj = 25°C

CCT	Color Rendering	Luminous Flux	
	Min	Typ	Min
2700K	80	590	530
3000K	80	615	550
4000K	80	650	585
5000K	80	650	585
5700K	80	650	585
6500K	80	650	585

* Tolerance of measurements of the Luminous Flux is $\pm 7\%$.

* Ra measurement tolerance is ± 2 .

Absolute Maximum Ratings at Tj=25°C

Item	Symbol	Absolute Maximum Rating	Unit
Forward current	IF	150	mA
Pulse Forward current	IFP	225	mA
Power Dissipation	PD	7800	mW
Reverse Voltage	VR	5	V
Operating Temperature	Topr	-40~+105	°C
Storage Temperature	Tstg	-40~+85	°C
Junction Temperature	Tj	120	°C
Soldering Temperature	Tsld	Reflow Soldering: 230°C or 260°C for 10sec	

* I_{FP} condition with Pulse: Width≤100μs, Duty cycle≤1/10.

* LED's properties might be different from suggested values like above and below tables if operation condition will be exceeded our parameter range. Care is to be taken that power dissipation does not exceed the absolute maximum rating of the product.

* All measurements were made under the standardized environment of Lightning LED.

Electrical/Optical Characteristics at Tj=25°C

Item	Symbol	Min	Typ	Max	Unit	Condition
Forward Voltage	VF	46	49	52	V	IF=100mA
Reverse Current	IR	-	-	10	μA	VR=5V
View Angle	2θ _{1/2}	-	120	-	°	IF=100mA
Thermal resistance	(R _{th j-sp})	-	3	-	°C/W	IF=100mA
Electrostatic Discharge	ESD	1000	-	-	V	HBM

* Tolerance of measurements of the Forward Voltage is ±3%.

* 2θ_{1/2} is the off-axis where the luminous intensity is 1/2 of the peak intensity.

* R_{th j-sp} is the thermal resistance from LED junction to solder point on MCPCB with electrical power.

Bin Structure

Luminous Flux Ranks, IF = 100mA, Tj = 25°C

CCT	Color Rendering		Luminous Flux		
	Min	Typ	Code	Min	Max
2700K	80	82	GL	500	550
			GM	550	600
			GN	600	650
3000K	80	82	GM	550	600
			GN	600	650
			GP	650	700
4000K	80	82	GM	550	600
			GN	600	650
			GP	650	700
5000K	80	82	GM	550	600
			GN	600	650
			GP	650	700
5700K	80	82	GM	550	600
			GN	600	650
			GP	650	700
6500K	80	82	GM	550	600
			GN	600	650
			GP	650	700

* Tolerance of measurements of the Luminous Flux is $\pm 7\%$.

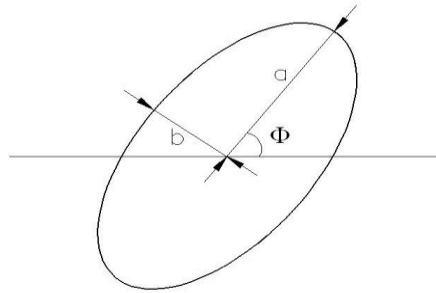
* Ra measurement tolerance is ± 2 .

Forward Voltage Ranks, $I_F = 100\text{mA}$, $T_j = 25^\circ\text{C}$

Code	Min	Max	Unit
6R	46	48	V
6S	48	50	V
6T	50	52	V

* Tolerance of measurements of the Forward Voltage is $\pm 3\%$.

CIE Chromaticity Diagram, $I_F = 100\text{mA}$, $T_j = 25^\circ\text{C}$



The color ranks have chromaticity ranges within 5-step MacAdam ellipse

Color Code	Center ($T_j=25^\circ\text{C}$)		Center ($T_j=85^\circ\text{C}$)		Radius		Angle(deg)
	x	y	x	y	a	b	Φ
27R5	0.4620	0.4145	0.4578	0.4101	0.013500	0.007000	53.42
30R5	0.4383	0.4081	0.4338	0.4030	0.013900	0.006800	53.13
40R5	0.3875	0.3868	0.3818	0.3797	0.015650	0.006700	53.43
50R5	0.3507	0.3635	0.3447	0.3553	0.013700	0.005900	59.37
57R5	0.3348	0.3491	0.3287	0.3417	0.011175	0.005500	58.35
65R5	0.3187	0.3363	0.3123	0.3282	0.011150	0.004750	58.34

* Energy Star binning applied to all 2600~7000K.

* Tolerance of measurements of the chromaticity Coordinate is ± 0.005 .

Fig 1. Color Spectrum, $T_j = 25^\circ\text{C}$

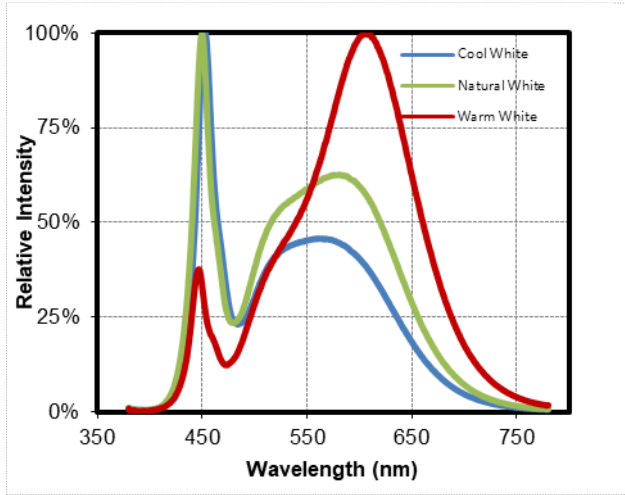
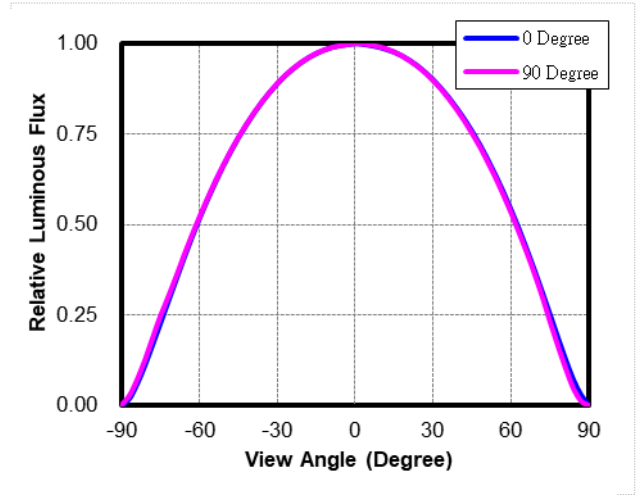
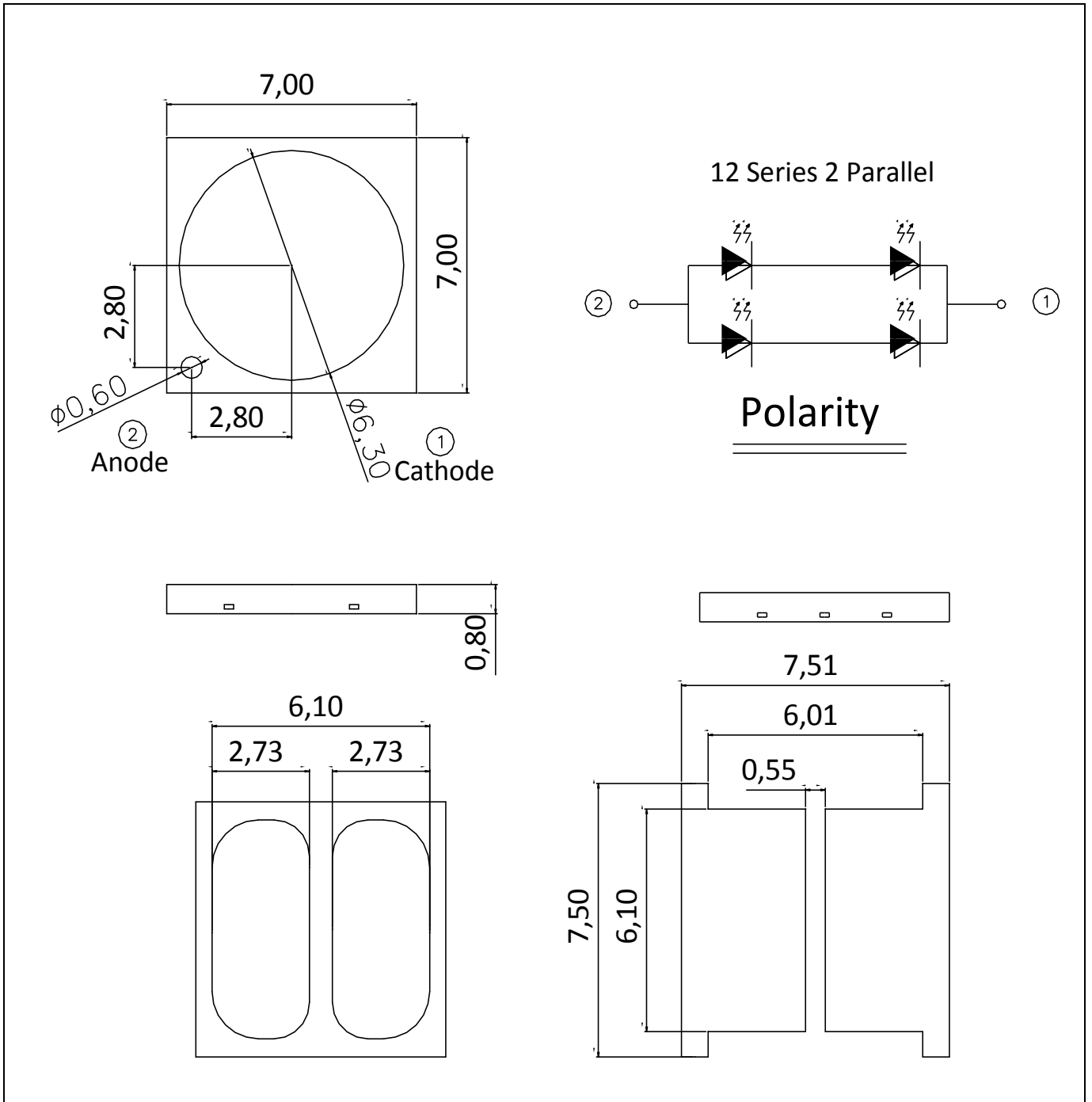


Fig 2. Viewing Angle Distribution, $T_j = 25^\circ\text{C}$

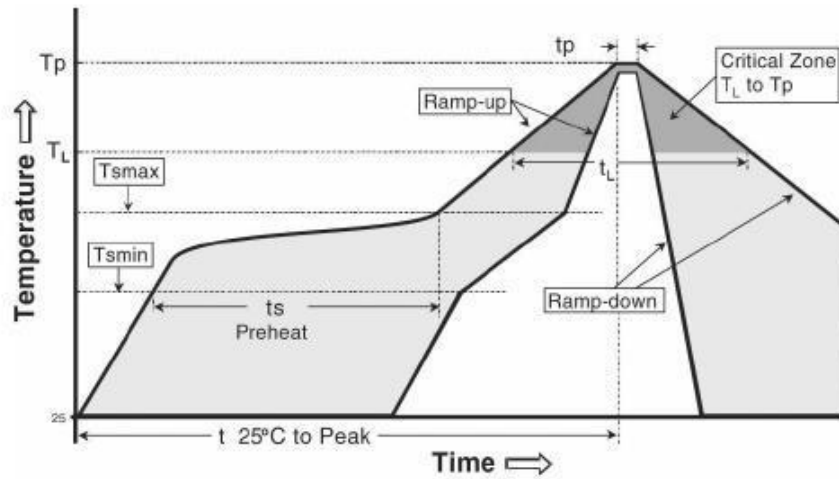


Package Dimensions



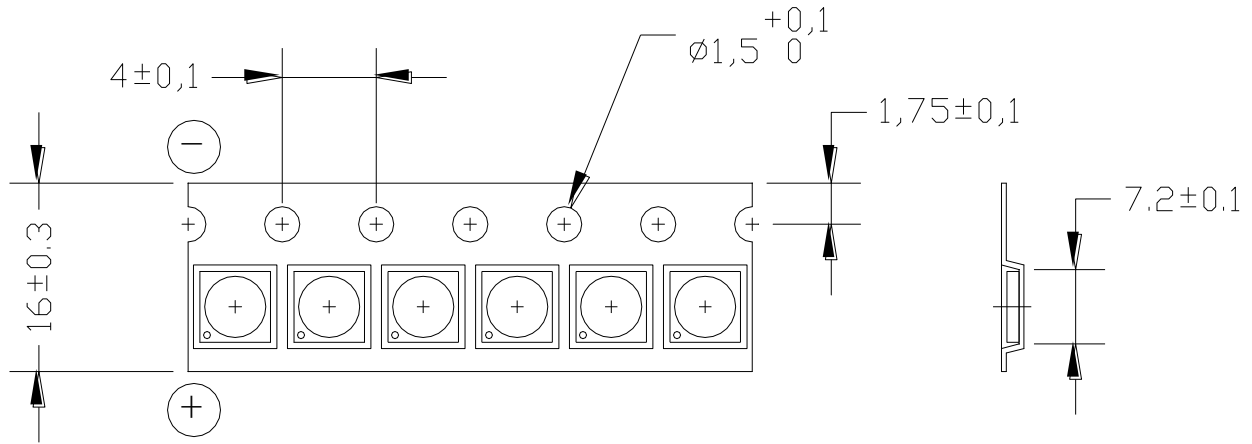
* The tolerance unless mentioned is $\pm 0.1\text{mm}$, unit = mm

Reflow Soldering Characteristics



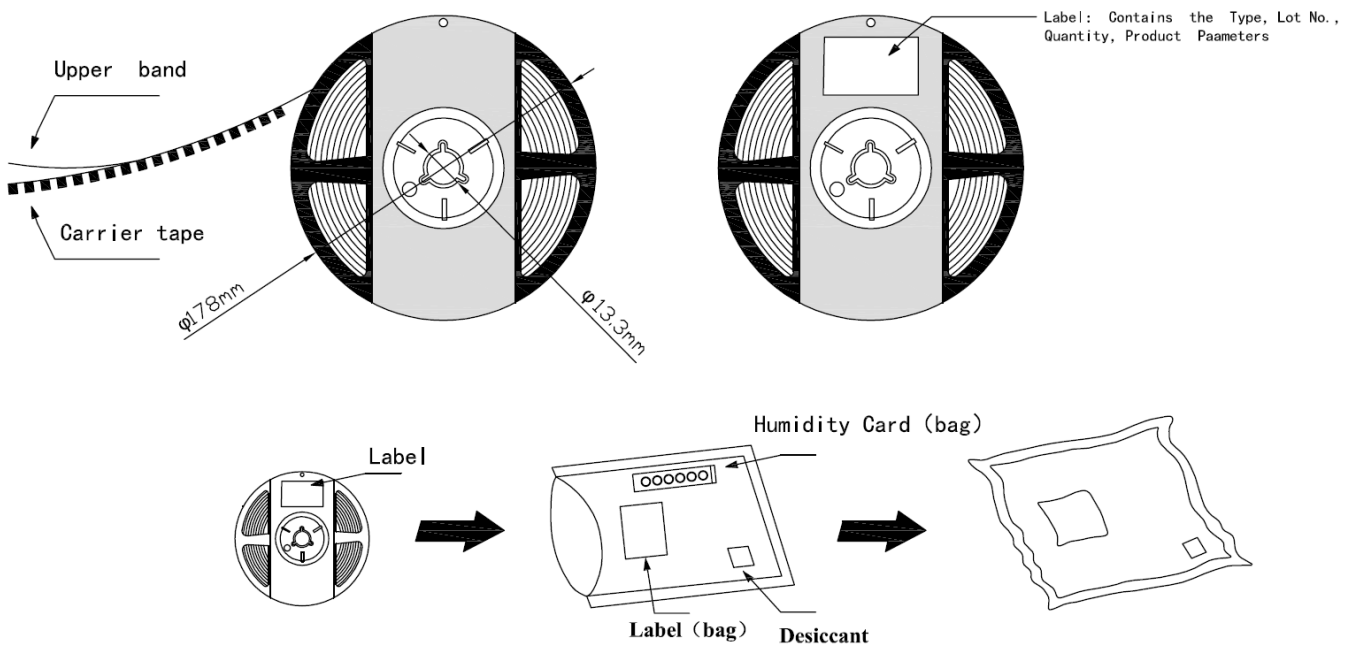
Reflow soldering	
Temperature Min (T _{min})	150° C
Temperature Max (T _{max})	200° C
Time(t _s)from (T _{min} to T _{max})	60-120 seconds.
Ramp-up rate (T _L to T _p)	3° C/seconds max.
Liquidous temperature(T _L)	217° C
Time(t _L) maintained above T _L	60-150 seconds
Peak package body temperature(T _p)	260° C max
Time (t _p) within 5° C of the specified classification temperature (T _c).	30 seconds max
Ramp-down rate (T _p to T _L)	6° C/second max
Time 25 ° C to peak temperature	8 min max

Package Dimensions of Tape

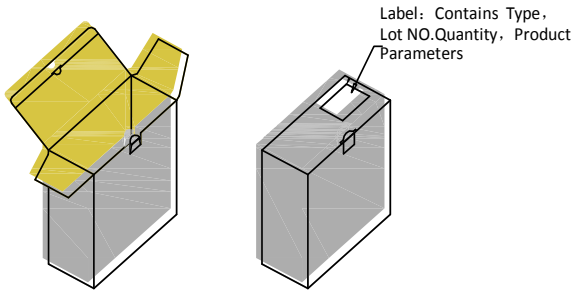


- * Quantity : Max 1000pcs/Reel
- * Cumulative Tolerance : Cumulative Tolerance/10 pitches to be ± 0.2 mm
- * Package : P/N, Manufacturing data Code No. and Quantity to be indicated on a damp proof Package.
- * Adhesion Strength of Cover Tape Adhesion strength to be 0.1-0.7N when the cover tape is turned off from the carrier tape at the angle of 10° to the carrier tape

Package Dimensions of Reel

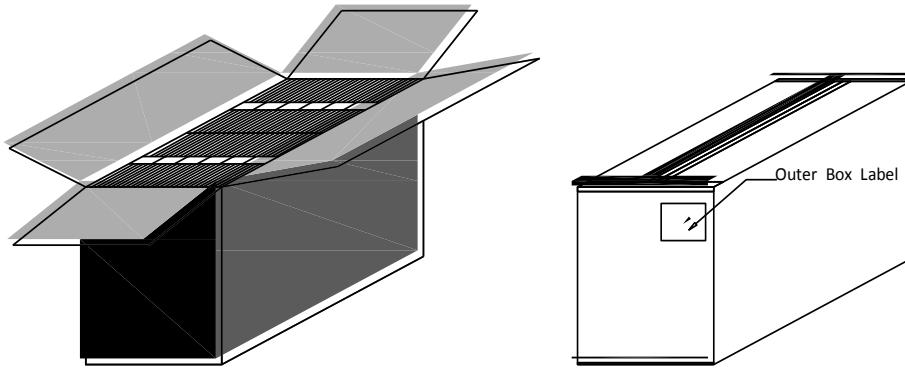


Package Box




* Capacity 4 or 8 reels per box.

Outer Box



* Capacity 24 or 48 reels per box.

Label :

福建天电光电有限公司 FUJIAN LIGHTNING OPTOELECTRONIC CO.LTD	
型号Type:T*****_*****	
	
光通量Φ@ *** mA: *** _ *** [LM]	
色区Color Bin@*** mA: ****	
电压Vf@ *** mA: ** - ** [V]	
显指Ra@*** mA: ** (MIN)	
Lot No.:A*****_*_*****	
Bin Code: ****	数量QTY:**** PCS



Caution

1. Reflow soldering is recommended not to be done more than two times. In the case of more than 24 hours passed soldering after first, LEDs will be damaged.
2. Repairs should not be done after the LEDs have been soldered. When repair is unavoidable, suitable tools must be used.
3. Die slug is to be soldered.
4. When soldering, do not put stress on the LEDs during heating.
5. After soldering, do not warp the circuit board.

Notes on Lightning EMC Series soldering:

1. Recommend to use reflow machine.
2. Recommend to use heating plate soldering.
3. Manual soldering is not recommended.

Notes on reflow process:

1. To confirm whether the actual temperature curve in the reflow soldering conditions comply with recommended conditions. LEDs are guaranteed for one time reflow.
2. During reflow process do not apply force on LED active area.
3. After reflow process, PCB board should be cooled down before packing or storage.

Precaution for use

Storage

1. Before opening the package: The LED should be kept at 30°C or less and 90%RH or less.
2. After opening the package: The LED's floor life is 168Hrs under 30°C or less and 60%RH or less. If unused LED remain, it should be stored in moisture proof packages JEDEC (MSL 3).
3. If the moisture absorbent material (silica gel) has faded away or the LEDs have exceeded the storage time, baking treatment should be performed using the following conditions:
Baking treatment: 60±5°C for 24 hours.