

SPECIFICATIONS FOR T28 SERIES

WHITE LED

Model: 2835

Part No: T28xxx12x-Mxxxxx

Features:

- * Top view white LED
- * Thermally Enhanced Package Design
- * High luminous flux output
- * High current capability
- * Compact Package Size
- * Wide viewing angle
- * Pb-free Reflow Soldering Application
- * The product itself will remain within RoHS compliant version



Applications

- * Interior lighting
- * Retrofits (replacement)
- * General lighting
- * Architectural / Decorative lighting

Part Numbering System

T □□ □□ □ □ □ □ - □ □□ □□ □
 X1 X2 X3 X4 X5 X6 X7 X8 X9 X10

Item Number Code	Description	Content
X1	Type code	1S:1010; 1A:1919; 20:2016; 3B:3014; 28:2835 34:3020; 3C:3030; 5C:5050; 7C:7070; 1D:100100; 19: Ceramic 3535; 15: Ceramic 5050; 11: Ceramic 1616.
X2	CCT code	2700K:27;3000K:30;4000K:40;5000K:50;5700K:57;6500K:65; RE:Red;GR:Green;BL:Blue;YE:Yellow;PA:PC Amber.
X3	Color Rendering	Ra70:7; Ra80:8; Ra90:9; Ra85:A; Ra75:B; Ra95:C.
X4	No. of serial chip	1-Z.
X5	No. of parallel chip	1-Z.
X6	Component code	A-Z.
X7	Color Code	M:ANSI; F:ERP; R:85°C ANSI; T:105°C ANSI; B:Backlighting; Q:Others;
X8	Internal code1	\
X9	Internal code2	\
X10	Spare code	\

Electro Optical Characteristics, IF =65mA

CCT	Color Rendering	Luminous Flux	
		Tj=25°C	
	Min.	Typ.	Min.
2700K	70	32.5	30.0
	80	30.5	28.0
	90	25.5	24.0
3000K	70	34.0	32.0
	80	32.5	30.0
	90	27.0	24.0
4000K	70	35.5	32.0
	80	34.0	32.0
	90	28.5	26.0
5000K	70	35.5	32.0
	80	34.0	32.0
	90	28.5	26.0
5700K	70	35.5	32.0
	80	34.0	32.0
	90	28.5	26.0
6500K	70	35.5	32.0
	80	34.0	32.0
	90	28.5	26.0

* Tolerance of measurements of the Luminous Flux is $\pm 7\%$.

* Ra measurement tolerance is ± 2 .

* Correlated Color Temperature is derived from the CIE 1931 Chromaticity diagram.

Absolute Maximum Ratings at Tj=25°C

Item	Symbol	Absolute Maximum Rating	Unit
Forward current	I _F	350	mA
Pulse Forward current	I _{FP}	380	mA
Power Dissipation	P _D	1155	mW
Reverse Voltage	V _R	5	V
Operating Temperature	Topr	-40~+85	°C
Storage Temperature	Tstg	-40~+100	°C
Junction Temperature	Tj	120	°C
Soldering Temperature	Tsld	Reflow Soldering: 230°C or 260°C for 10sec	

* I_{FP} condition with Pulse: Width≤100μs, Duty cycle≤1/10.

* LED's properties might be different from suggested values like above and below tables if operation condition will be exceeded our parameter range. Care is to be taken that power dissipation does not exceed the absolute maximum rating of the product.

* All measurements were made under the standardized environment of Lightning LED.

Electrical/Optical Characteristics at Tj=25°C

Item	Symbol	Min	Typ	Max	Unit	Condition
Forward Voltage	V _F	2.7	-	3.3	V	IF=65mA
Reverse Current	I _R	-	-	10	μA	VR=5V
Luminous Flux	Φ _V	24.0	34.0		lm	IF=65mA
View Angle	2θ _{1/2}	-	120	-	°	IF=65mA
Correlated Color Temperature	CCT	2700	4000	6500	K	IF=65mA
Color Rendering Index	Ra	70	80	90	-	IF=65mA
Color Rendering Index	R9	-	-	-	-	IF=65mA
Characteristics Coordinates	X	-	0.3825	-	-	IF=65mA
	y	-	0.3798	-	-	IF=65mA
Thermal resistance	(R _{th j-sp})	-	14	-	°C/W	IF=65mA
Electrostatic Discharge	ESD	1000	-	-	V	HBM

* Tolerance of measurements of the Forward Voltage is ±0.1V.

* Tolerance of measurements of the Luminous Flux is ±7%.

* 2θ_{1/2} is the off-axis where the luminous intensity is 1/2 of the peak intensity.

* Correlated Color Temperature is derived from the CIE 1931 Chromaticity diagram.

* Ra measurement tolerance is ±2.

* R9 measurement tolerance is ±6.5.

* Tolerance of measurements of the chromaticity Coordinate is ±0.005.

* R_{th j-sp} is the thermal resistance from LED junction to solder point on MCPCB with electrical power.

Bin Structure

Luminous Flux Ranks, IF = 65mA, Tj =25°C

CCT	Color Rendering		Luminous Flux		
	Min.	Typ.	Code	Min	Max
2700K	70	72	D8	30	32
			D9	32	34
			E1	34	36
	80	82	D7	28	30
			D8	30	32
			D9	32	34
	90	92	D5	24	26
			D6	26	28
			D7	28	30
3000K	70	72	D9	32	34
			E1	34	36
			E2	36	38
	80	82	D8	30	32
			D9	32	34
			E1	34	36
	90	92	D5	24	26
			D6	26	28
			D7	28	30
4000K	70	72	D9	32	34
			E1	34	36
			E2	36	38
5000K	80	82	D9	32	34
			E1	34	36
			E2	36	38
5700K	80	82	E1	34	36
			E2	36	38
			D6	26	28
6500K	90	92	D7	28	30
			D8	30	32
			D8	30	32

* Tolerance of measurements of the Luminous Flux is $\pm 7\%$.

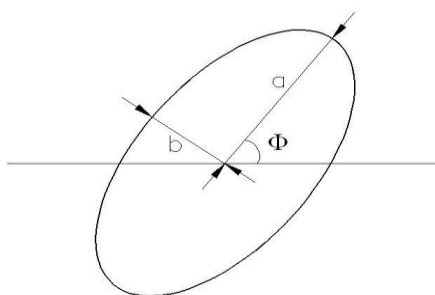
* Ra measurement tolerance is ± 2 .

Forward Voltage Ranks, IF = 65mA, Tj =25°C

Code	Min	Max	Unit
A1	2.7	2.8	V
B1	2.8	2.9	V
C1	2.9	3.0	V
D1	3.0	3.1	V
E1	3.1	3.2	V
F1	3.2	3.3	V

* Tolerance of measurements of the Forward Voltage is $\pm 0.1V$.

CIE Chromaticity Diagram, IF = 65mA, Tj =25°C



The color ranks have chromaticity ranges within 5-step MacAdam ellipse

Color Code	Center		Radius		Angle(deg)
	x	y	a	b	Φ
27M5	0.4582	0.4099	0.013500	0.00700	53.42
30M5	0.4342	0.4028	0.013900	0.00680	53.13
40M5	0.3825	0.3798	0.015650	0.00670	53.43
50M5	0.3451	0.3554	0.013700	0.00590	59.37
57M5	0.3290	0.3417	0.011175	0.00550	58.35
65M5	0.3130	0.3290	0.011150	0.00475	58.34

* Energy Star binning applied to all 2600~7000K.

* Tolerance of measurements of the chromaticity Coordinate is ± 0.005 .

Fig 1. Color Spectrum, $T_j = 25^\circ\text{C}$

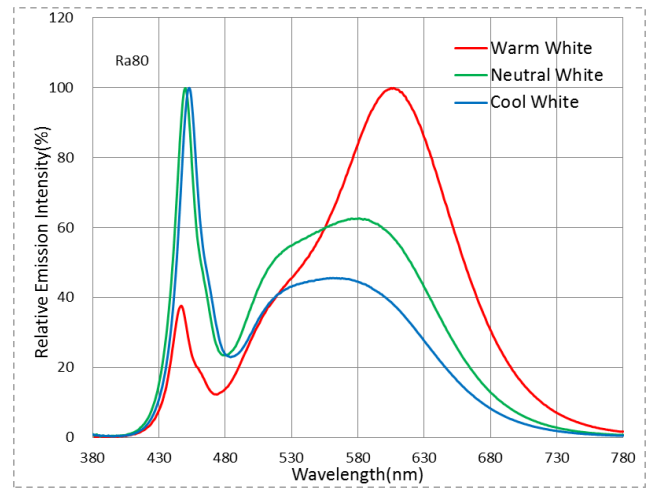
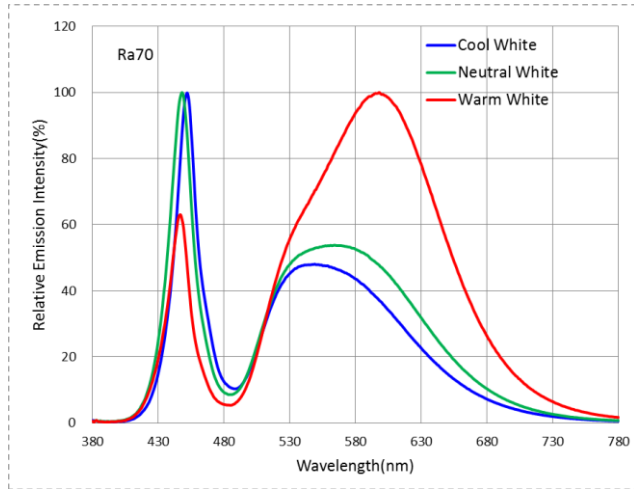


Fig 2. Viewing Angle Distribution, $T_j = 25^\circ\text{C}$

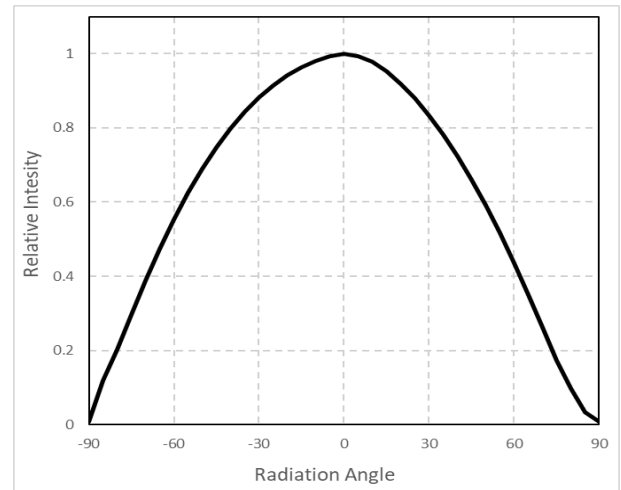
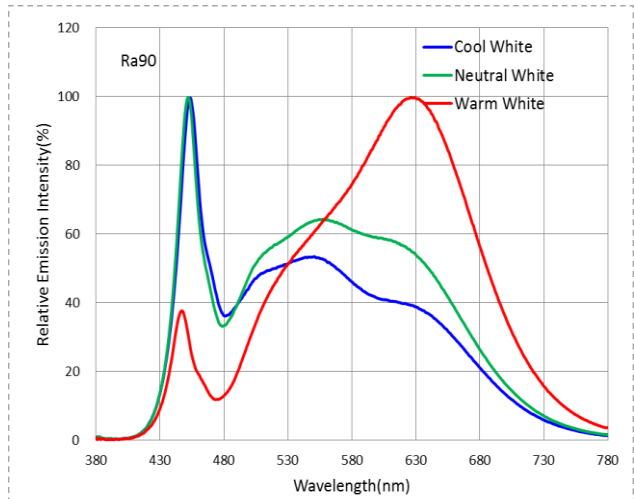


Fig 3. Forward Current vs. Relative Intensity, $T_j = 25^\circ\text{C}$

Fig 4. Forward Current vs. Forward Voltage, $T_j = 25^\circ\text{C}$

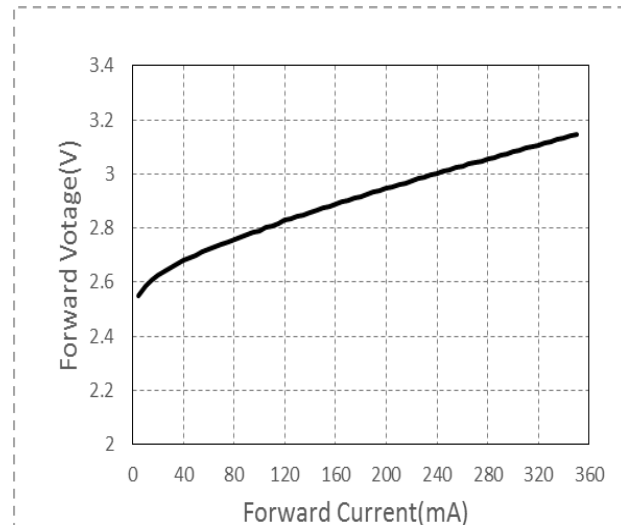
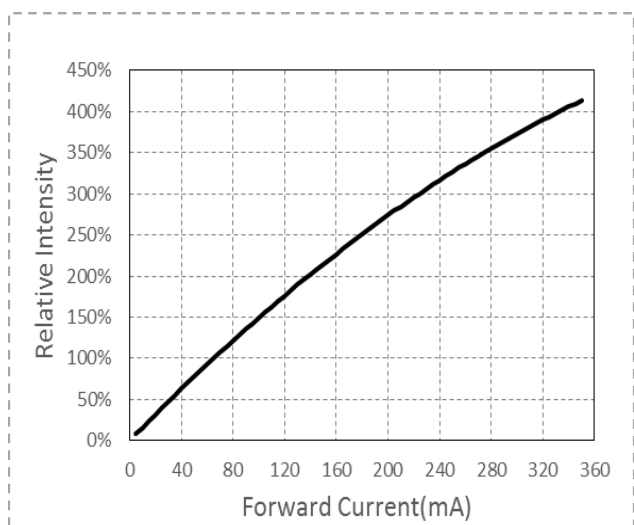


Fig 5. Soldering Temperature vs. Relative Luminous flux (IF=65mA)

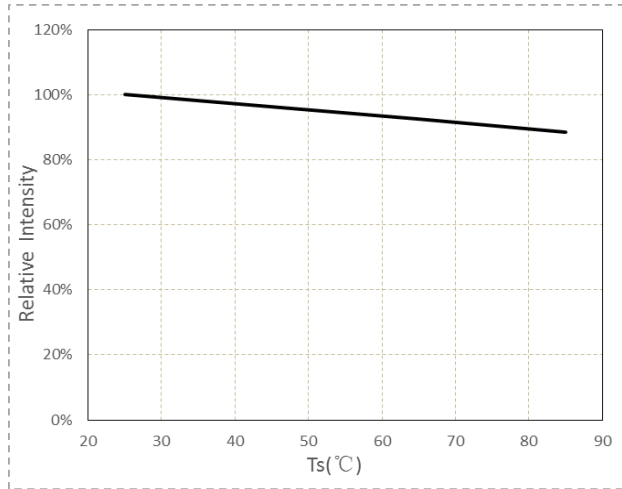


Fig 6. Soldering Temperature vs. Relative Forward Voltage (IF=65mA)

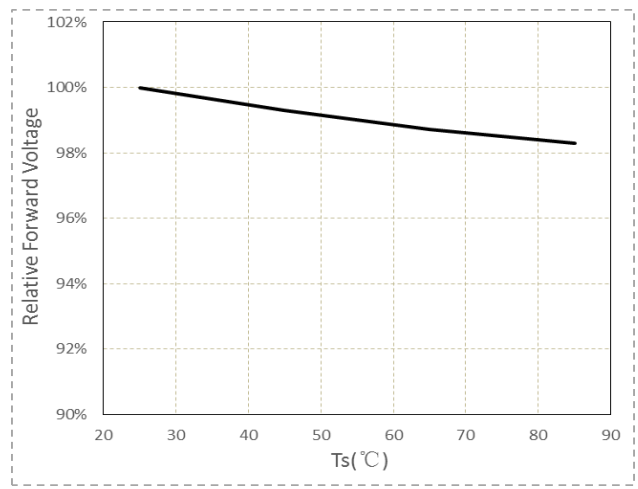
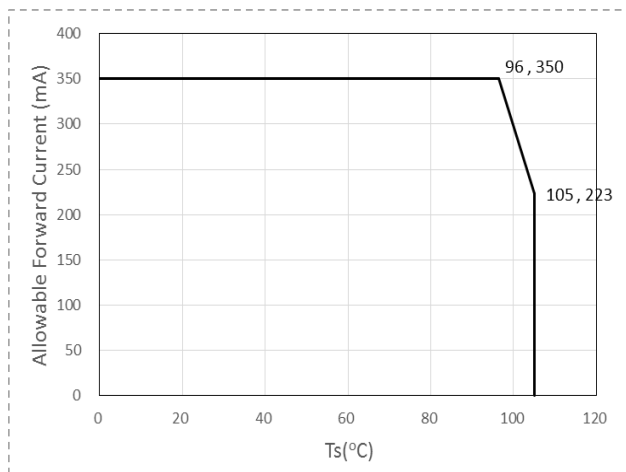
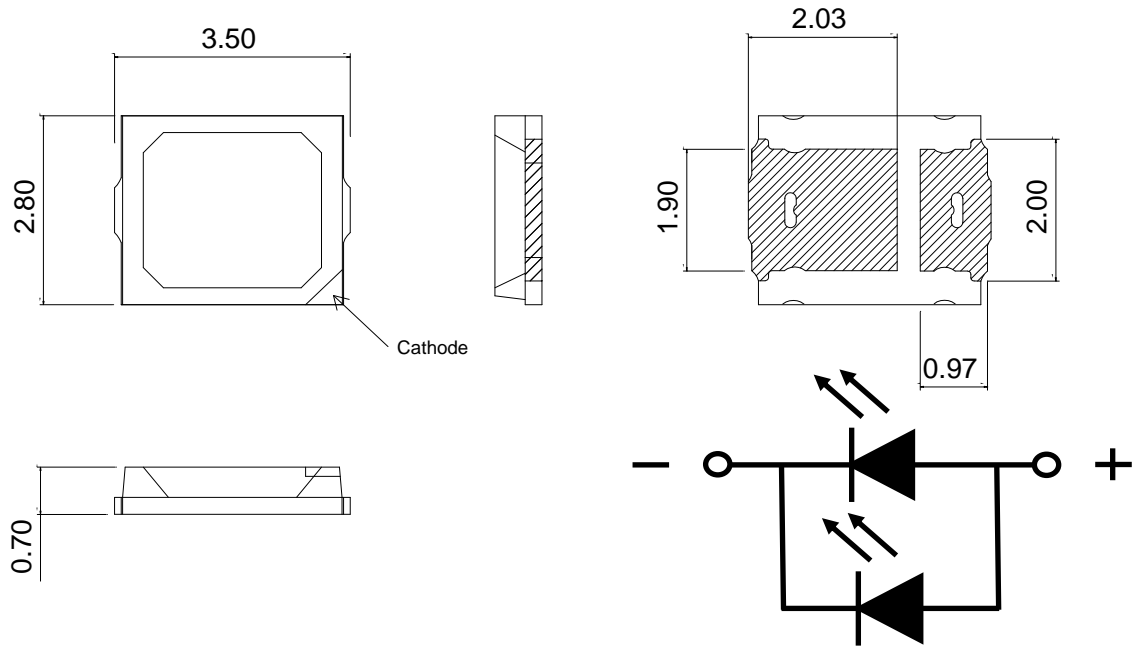


Fig 7. Allowable Forward Current vs. Soldering Temperature

Junction Temperature < 120°C

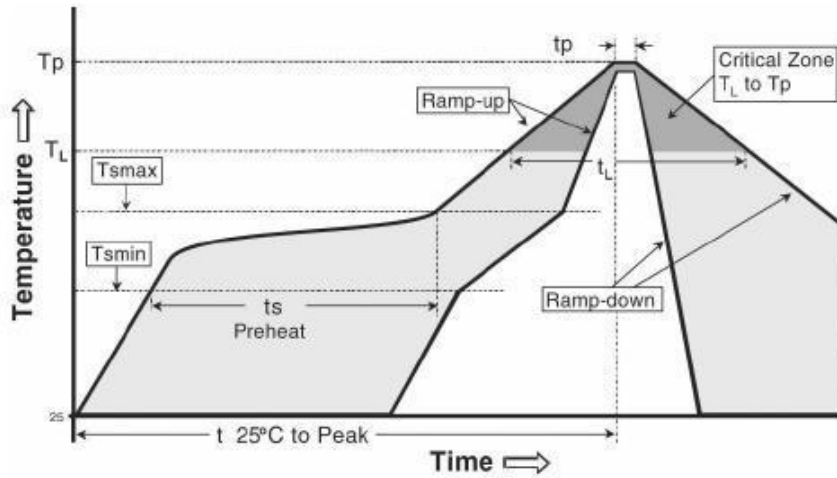


Package Dimensions



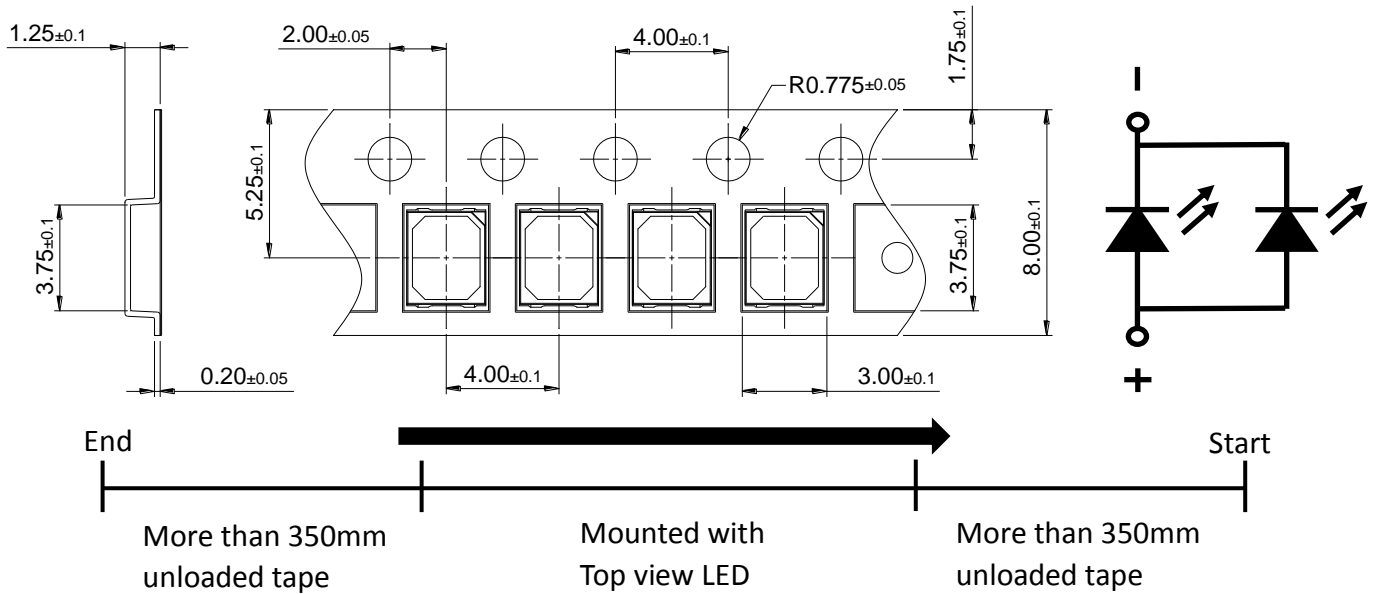
* The tolerance unless mentioned is $\pm 0.1\text{mm}$, unit = mm

Reflow Soldering Characteristics



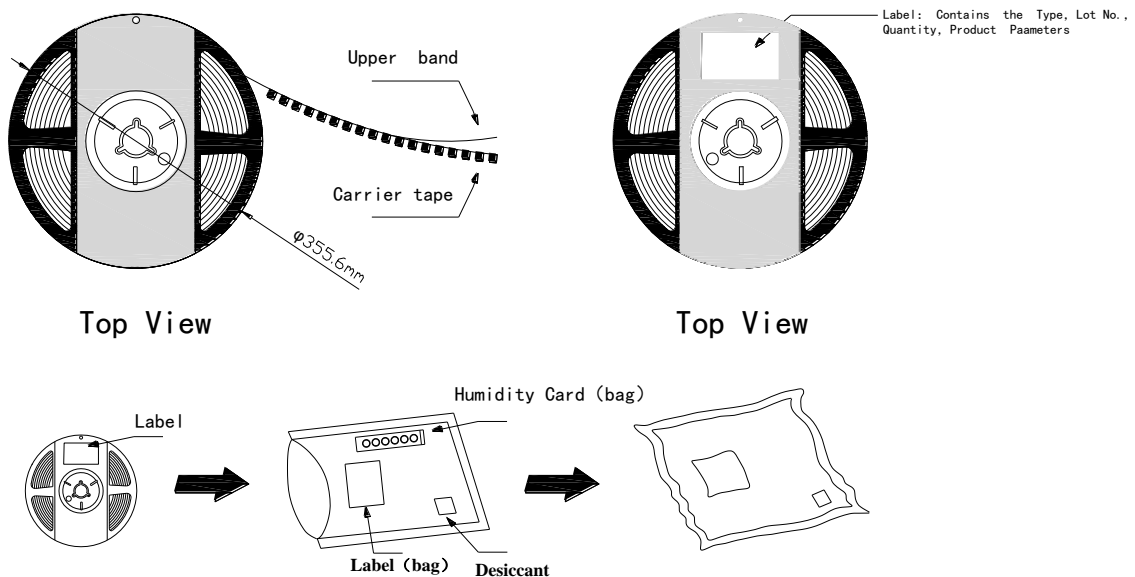
Reflow soldering	
Temperature Min (T_{smin})	150° C
Temperature Max (T_{smax})	200° C
Time(t_s)from (T_{smin} to T_{smax})	60-120 seconds.
Ramp-up rate (T_L to T_p)	3° C/seconds max.
Liquidous temperature(T_L)	217° C
Time(t_L) maintained above T_L	60-150 seconds
Peak package body temperature(T_p)	260° C max
Time (t_p) within 5°C of the specified classification temperature (T_c).	30 seconds max
Ramp-down rate (T_p to T_L)	6° C/second max
Time 25°C to peak temperature	8 min max

Package Dimensions of Tape

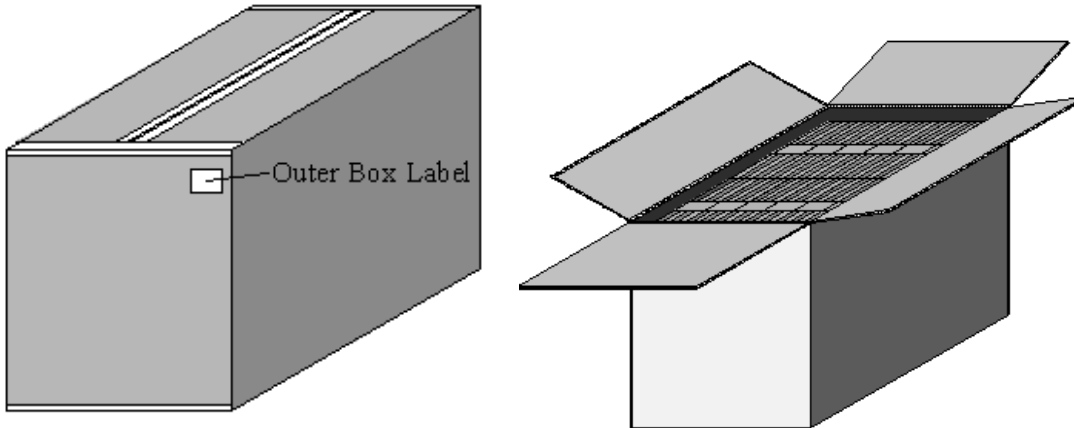


- * Quantity : Max 18000pcs/Reel
- * Cumulative Tolerance : Cumulative Tolerance/10 pitches to be $\pm 0.2\text{mm}$
- * Package : P/N, Manufacturing data Code No. and Quantity to be indicated on a damp proof Package.
- * unit = mm

Package Dimensions of Reel




Package Box



Capacity 10 reels per box (外箱容量: 10 卷)

Label

<h1>福建天电光电有限公司</h1> <p>FUJIAN LIGHTNING OPTOELECTRONIC CO.,LTD</p>	
型号Type: T*****_*****	
	
光通量Φ@ *** mA: *** - *** [LM]	
色区Color Bin@*** mA: ****	
电压Vf@ *** mA: ** - ** [V]	
显指Ra@ *** mA: ** (MIN)	
Lot No.: A*****_*_*****	
Bin Code: ****	数量QTY:**** PCS



Caution

1. Reflow soldering is recommended not to be done more than two times. In the case of more than 24 hours passed soldering after first, LEDs will be damaged.
2. Repairs should not be done after the LEDs have been soldered. When repair is unavoidable, suitable tools must be used.
3. Die slug is to be soldered.
4. When soldering, do not put stress on the LEDs during heating.
5. After soldering, do not warp the circuit board.

Notes on Lightning PCT Series soldering:

1. Recommend to use reflow machine.
2. Recommend to use heating plate soldering.
3. Manual soldering is not recommended.

Notes on reflow process:

1. To confirm whether the actual temperature curve in the reflow soldering conditions comply with recommended conditions. LEDs are guaranteed for one time reflow.
2. During reflow process do not apply force on LED active area.
3. After reflow process, PCB board should be cooled down before packing or storage.

Precaution for use

Storage

1. Before opening the package: The LED should be kept at 5°C~30°C and 60%RH or less.
2. After opening the package: The LED's floor life is 168Hrs under 30°C or less and 60%RH or less. If unused LED remain, it should be stored in moisture proof packages JEDEC (MSL 3).
3. If the moisture absorbent material (silica gel) has faded away or the LEDs have exceeded the storage time, baking treatment should be performed using the following conditions:
Baking treatment: 60±5°C for 24 hours.